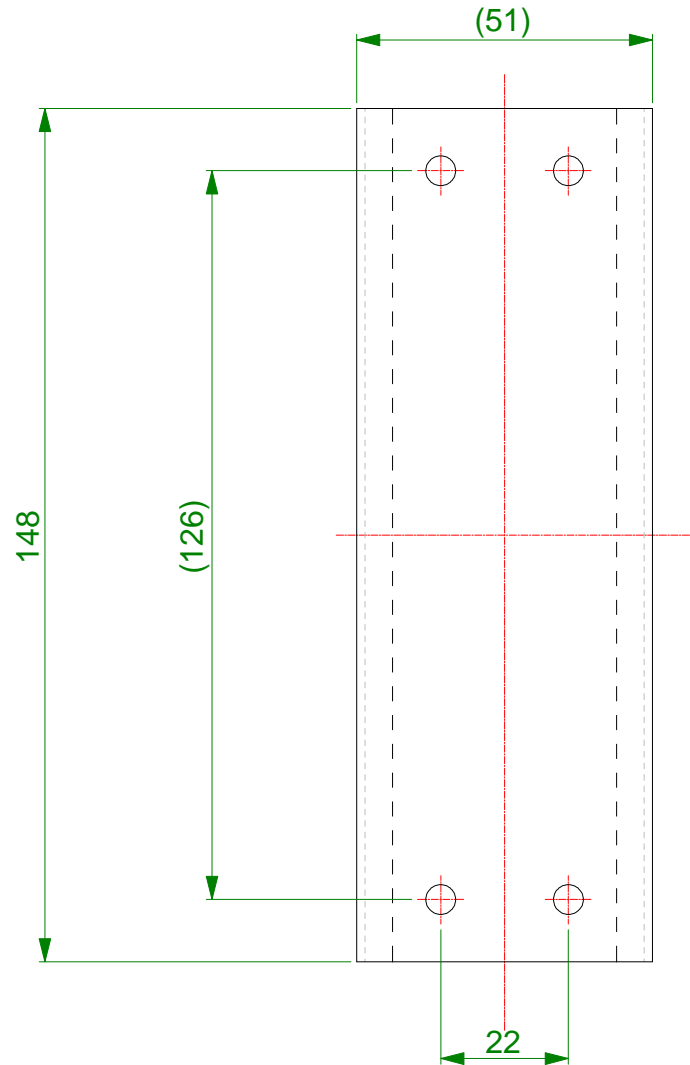
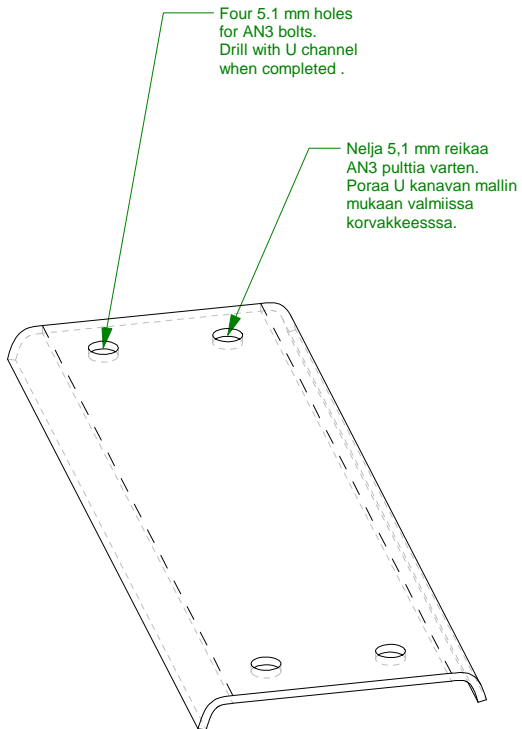


Bend not critical.
Reunan taivutus ei kriittinen.



3				
2				
1	AISI 304, 1.4301. V3A or similar	t = 1.5 mm		1
part nr	Description	Quality	Dimensions	ea
unless stated otherwise: Sharp edges removed.				
General tolerances:		Size: †	Angle: †	°
	scale	date created	assembly	
		18.8.2018	P8-3220-00042	
Top plate		Kansi levy		
ok HTH www.hooteehoo.org	rev	Drawing nr	P8-3220-00084	sheet of 1 (2)